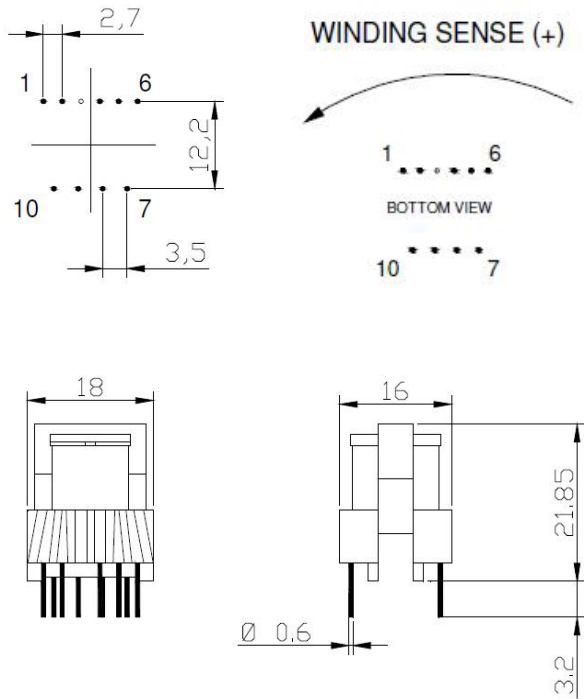


CUSTOMER TERMINAL	ROHS	Lead(Pb)-free
	YES	YES

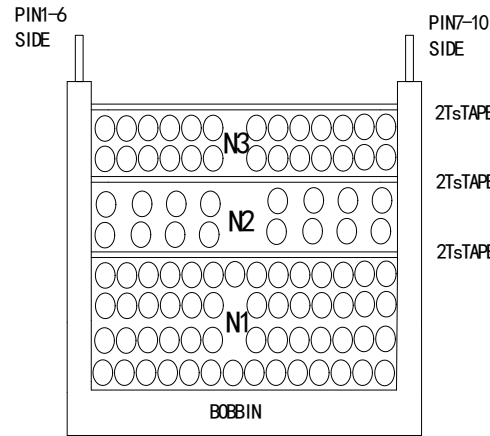


1.Mechanical Dimensions

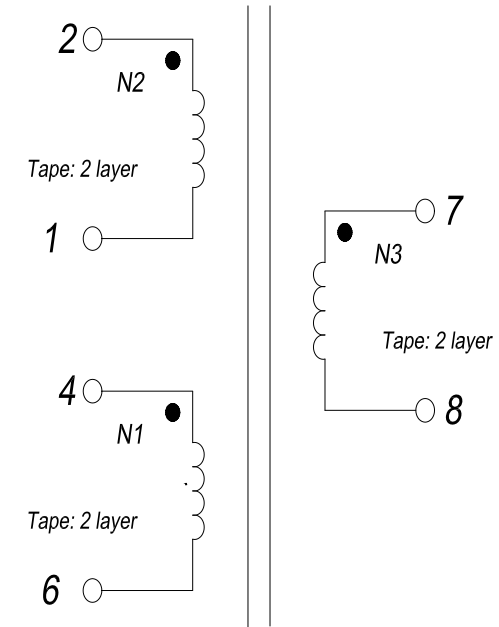


Note: PIN3 cut off
Label:HR 18110-00

YYWW



2.Schematic Diagram



3.Material List

Core:FW40 EE16/7/5
Bobbin:FWB1611(4+6)
Wire:2UEW-0.2/0.3mm TIW-0.3mm
Operating Temperature: -30 to115 °C

4.Electrical Specification

Inductance:L (6-4) =1.8mH±10% 1KHz 0.25V
Leakage Inductance : L (6-4) ≤50uH 100KHz 0.25V
DCR: (6-4) =1.8Ω (ref)
Hi-Pot:P-S: AC 50Hz 4000V 5mA 3S
P、S-CORE:AC 50Hz 500V 5mA 3S

REV.	DATE	<p>Convention Placement www.fosopower.com</p>	DRW.		Drawing Title:	Part No:
0	00/00		CHK.			
			APP.		Customer P/N	Specification Sheet 1of 1